



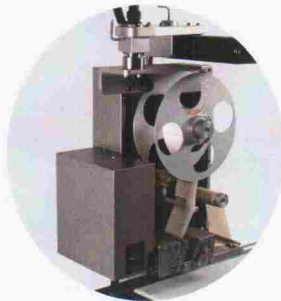
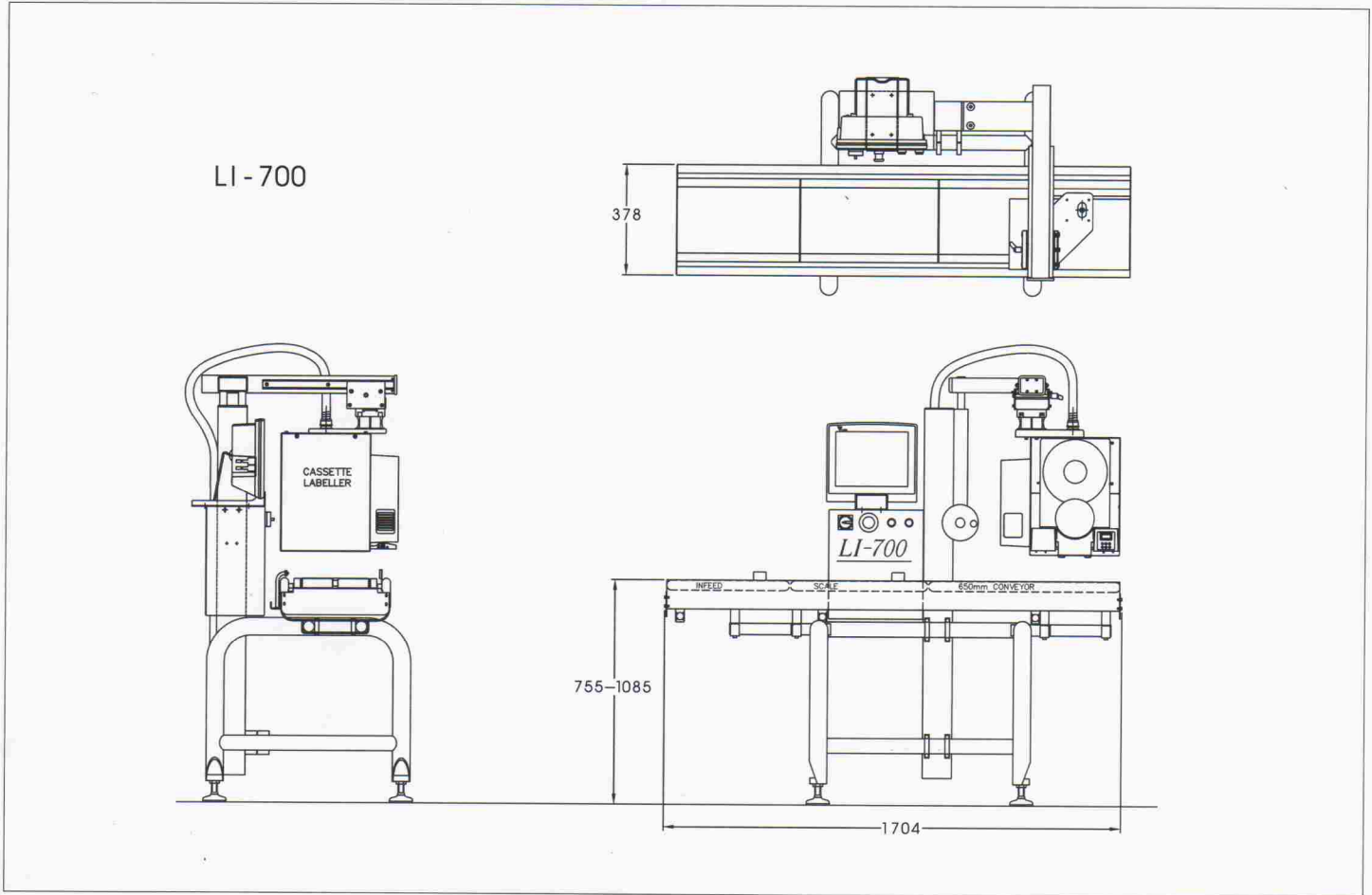
LI-700

P.C. Based Low Speed Weigh Price Labeller



***Searching for
a New Balance***

Dimensional outline drawing(mm)



Basic Specifications

Capacity / Interval	3kg / 2g	6kg / 2g	Print Method	Direct chemi thermal	
Pack Speed	up to 40ppm*			Non-cassette type	Cassette type
Pack Size	80-300mm (L)		300dpi 12DOT		300dpi 12DOT
	40-250mm (W)		Application System		
	180mm maximum(H)		Touch		
Label Size	Non-cassette type	Cassette type	HDD Capacity		
	Width 30-120mm	Width 40-80mm	20GB minimum		
	Height 28-150mm	Height 28-80mm	Power		
Label Roll	Roll diameter 300mm	Roll diameter 190mm	220-240V (115V option) 50/60HZ AC single phase		
	Core diameter 76mm	Core diameter 76mm	Air consumption		
			4 - 6 bar at 50 to 300 ltrs/mini		

*processing capabilities depending on size /weight of production and label size.
As part of our policy of continued product development, DIGI reserve the right to alter the specification and design without prior notice - E&OE.

DIGI EUROPE LTD.

DIGI HOUSE
ROOKWOOD WAY
HAVERHILL
SUFFOLK, ENGLAND
CB9 8DG
TEL: +44-0-1440-712175
FAX: +44-0-1440-712174
URL: <http://www.digi-systems.com>

