



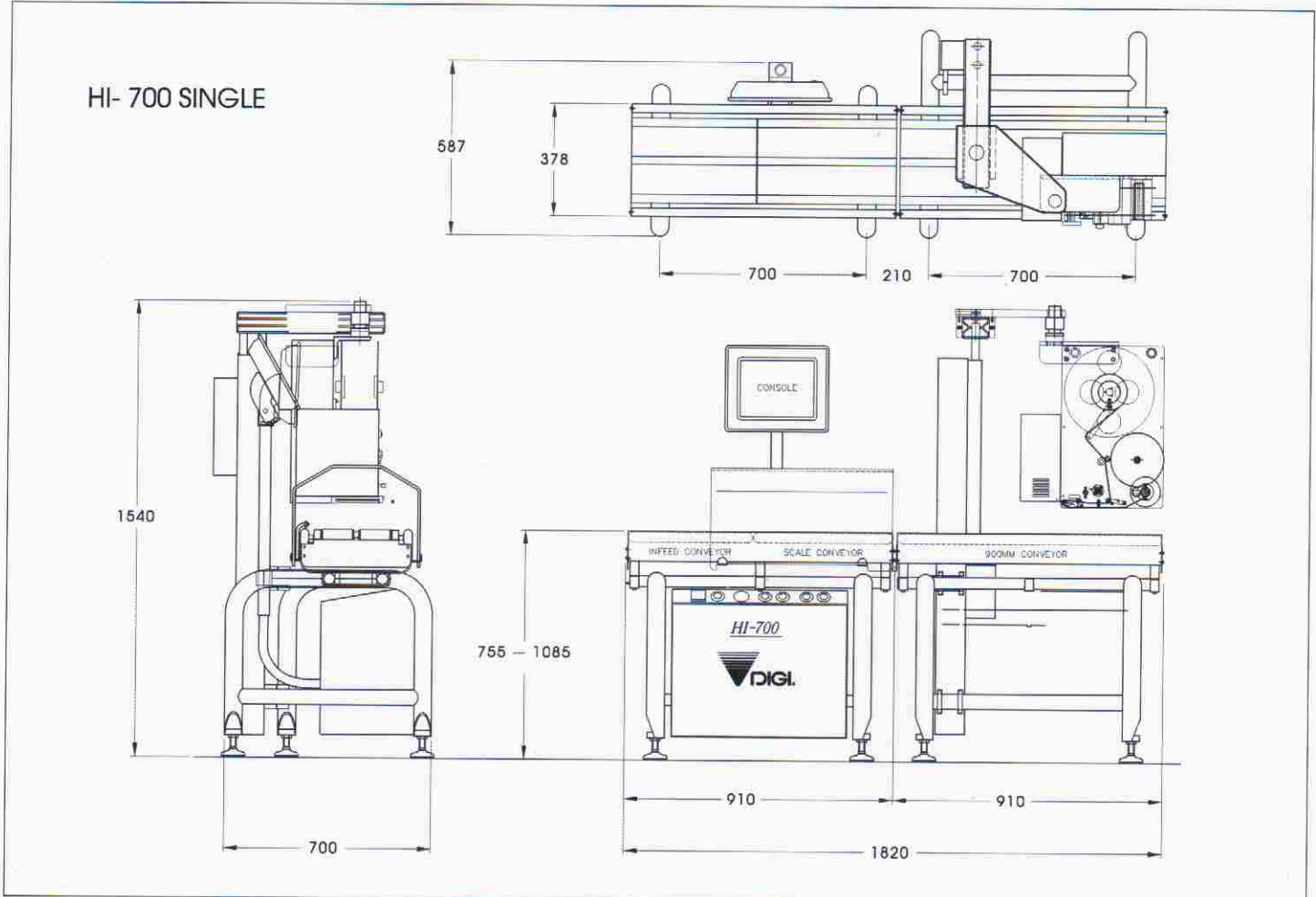
HI-700

P.C. Based High Speed Weigh Price Labeller



*Searching for
a New Balance*

Dimensional outline drawing(mm)



Basic Specifications

Capacity / Interval	3kg / 1g	6kg / 2g	12kg / 2g	Label Roll	Roll diameter 300mm	Roll diameter 190mm
Pack Speed	up to 150ppm (3Kg)*				core diameter 76mm	core diameter 76mm
	up to 80ppm (6Kg/12Kg/Long scale)*			Print Method	Direcet chemi thermal	
Pack Size	STD length scale	Long scale			Non-cassette type	Cassette type
	80-300mm (L)	80-475mm (L)			300dpi 12DOT	200dpi 8DOT
	40-250mm (W)	40-250mm (W)		Application System Touch		
	180mm maximum(H)	180mm maximum(H)		HDD Capacity	20GB	
Label Size	Non-cassette type	Cassette type		Power	220-240V (115V option) 50/60HZ AC single phase	
	Width 30-120mm	Width 40-80mm		*processing capabiltyys depending on size/weight of production and label size.		
	Height 28-150mm	Height 28-80mm		As part of our policy of continued product development, DIGI reserve the right to alter the specification and design without prior notice - E&OE.		

DIGI EUROPE LTD.

DIGI HOUSE
ROOKWOOD WAY
HAVERHILL
SUFFOLK, ENGLAND
CB9 8DG
TEL: +44-0-1440-712175
FAX: +44-0-1440-712174
URL: <http://www.digisystem.com>

