

## Specifications

### Wrapping

Package size ..... Width: 130-350mm (5.1-13.8 inches)  
 Height: 10-130 mm (0.4-5.1 inches)  
 Depth: 80-230mm (3.1-9.0 inches)  
 The combination of maximum size of each dimension cannot be used. The size of the package that can be wrapped also depends on the film used.

Wrapping speed ..... Max. 30 packages/min.  
 Number of film roll ..... One roll  
 Film width ..... 300-500mm (11.8-19.7 inches)  
 Film length ..... Max. 1,500m

### Weighing

Interval type	Multi-interval		Single interval
Capacity	Max. 3/6kg	Max. 6/15kg	Max. 30 lb
Scale interval	e=1/2g	e=2/5g	e=0.01 lb
Weighing range	20g-6kg	40g-15kg	0.20-30 lb
Max. wrapping capacity	5kg	5kg	11 lb

### Labeling

type	Thermal printer
Dot density	12 dot/mm (300dpi)
Label roll diameter	Max. 210mm (8.2 inches)
Label roll core diameter	76mm (3.0 inches)

Model variation	AW-5600CP AUTO	
Labeling application	Automatic application	
	Die-cut label	Linerless label
Label width	40-80mm/1.6-3.1 inches	44-59mm/1.73-2.3 inches
Label length	28-105mm/1.1-4.1 inches	28-105mm/1.1-4.1 inches

Model variation	AW-5600CP	
Labeling application	Manual application	
	Die-cut label	Linerless label
Label width	25-80mm/0.98-3.1 inches	44-59mm/1.73-2.3 inches
Label length	20-150mm/0.79-5.9 inches	20-500mm/0.79-19.7 inches*
		* Maximum printing length is 300mm/ 11.8 inches

### Operation console

Display panel ..... TFT LCD color (12.1 inches) touch panel  
 Operation keys ..... Mechanical keys and touch screen  
 Memory for programmable files ..... 8.8GB

### General

Power source and ..... • 208/240V; 3Ø; 50/60Hz; 1.8kVA  
 power consumption ..... • 220-240V; 1Ø; 50/60Hz; 1.6kW  
 Net weight ..... Approx. 360kg

### Model variation

AW-5600CP AUTO (automatic label application)  
 AW-5600CP (manual label application)

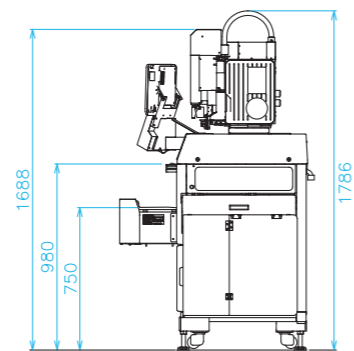
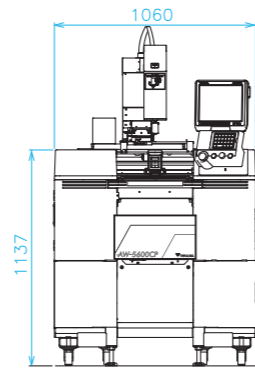
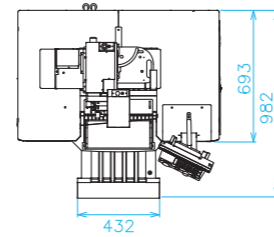
### Options

• Second labeler



\*Specifications are subject to change without prior notice.

## Dimensions



Unit = mm



# AW-5600CP Series

Compact integrated weigh-wrap-label system



TERAOKA SEIKO CO., LTD.

13-12 Kugahara 5-chome, Ohta-ku,  
 Tokyo 146-8580 JAPAN  
 www.digisystem.com



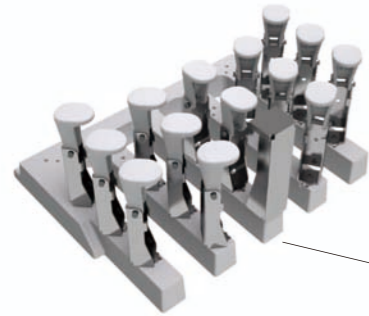
A1511CDMP

Searching for a New Balance



# AW-5600CP is the basic model of DIGI's AW-5600 Series weigh-wrap-label system to meet various needs of store operations.

For fast and accurate labeling, AW-5600CP AUTO offers a newly designed rotating labeler arm for automatic label placement on packages even with linerless labels.



### Easy to clean-up, every time

Easy to access inside of the machine for daily cleaning. Also, the main unit sits well clear of the floor to accommodate mopping and sweeping.



Small footprint requires only approx. 1m<sup>2</sup>



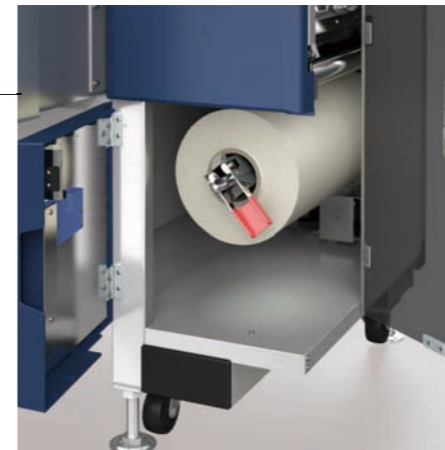
### User friendly extra-large 12.1" full color touch screen

Label print content can be previewed on the display, helping to prevent labeling errors. PLU and frequently used function keys can be assigned for easy access.



### High productivity

Weighing, wrapping, and labeling can be done in one step at a max. 30 packages/min.



### Quick, simple film loading

Change film sizes with minimal downtime using the new mechanism.



## Featuring linerless labeling

A new dimension for food packaging operations. Eliminate liner waste and increase flexibility and profit.



ex. 86mm ▶ 60mm

### Label format flexibility

A continuous strip of linerless labels is cut every time a label is printed. The auto-cut feature allows variable label layouts and sizes to be used from one roll of linerless labels.

### No more wasted white space on big labels

The auto-label-sizing feature eliminates unused space on the label and automatically adjusts the label size. This reduces the label cost and makes labels more attractive.

0010

INGREDIENTS : POTATOES, WATER ENRICHED FLOUR, VEGETABLE, ONION SALT, FOLIC ACID, LEMON JUICE, Malted Barley Flour, MILK, OIL (SOY BEAN OIL, CORN OIL), NIACIN (VITAMIN A B), IRON, MONONITRATE (VITAMIN B1), FOLIC ACID, RIBOFLAVIN (VITAMIN B2), HONEY, SUGAR, GARLIC POWDER, ROMANO CHEESE, EGGS, THIAMINE MONONITRATE, GREEN BELL PEPPERS

PACKED ON	USE BY	PRICE/kg	WEIGHT
24.12.14	27.12.14	\$9.80	1.252kg

TOTAL PRICE \$12.26

DIGI DIGI SUPERMARKET 5-13-12 KUGAHARA TOKYO

Actual size